



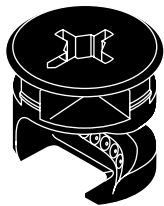
Assembly Hardware:

Titus Connectors (cam & bolt)2
Modular Connectors (Clip & Shoulder Screw)3
Hinges (Inserta®, Hinge & Mounting Plate with Euro screws)4
Door/Drawer Handles5
Elbow Catch.....5
Corner Brackets (2x2x2" or 2x2x6").....6
Flat Brackets6

Assembly Instructions:

Double Pedestal Desks.....7
Single Pedestal Desks8
Single Pedestal Return.....9
Shell10
Return Shell.....11
Bridge Top and Back12
"D" & "P" & Piano13
Extended Corner Tables14
Corner Tables15
Hutch — Open/Hinged Doors16

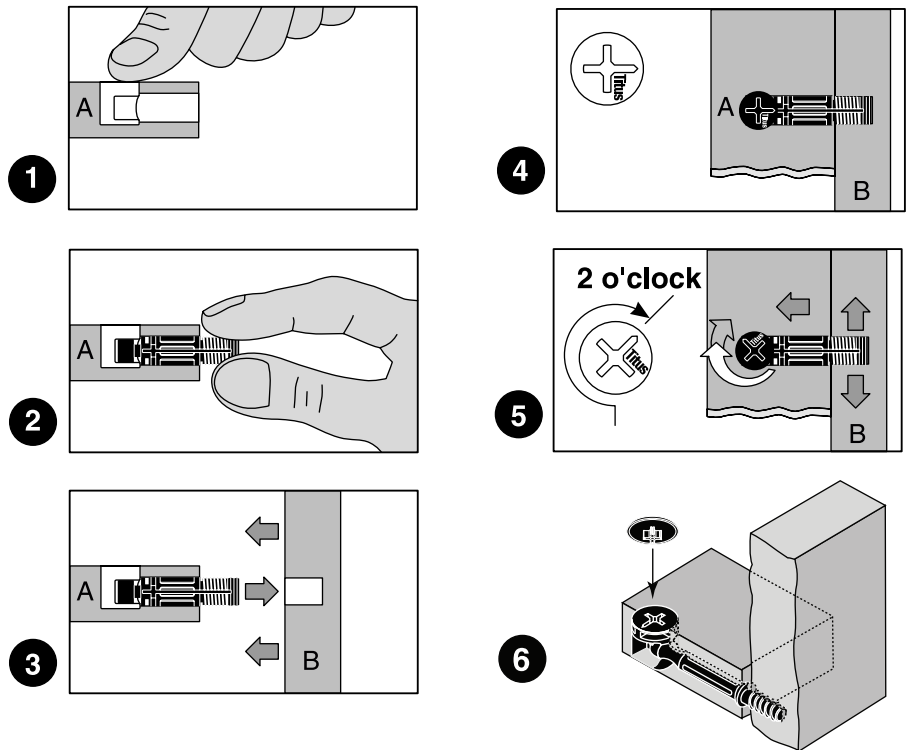
Cam & Bolt



The Universal cam



Quickfit-TL dowel

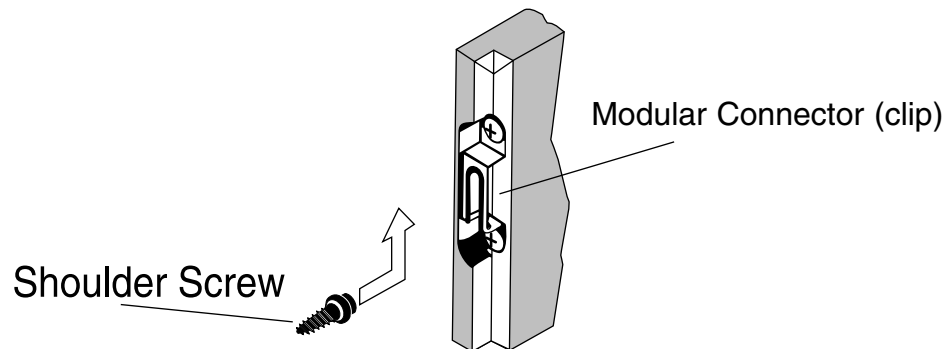


- This connector offers a fast assembly system.
- It has a built-in self-adjustment feature.
- The cam turns effortlessly to the full 2 o'clock position.

Steps to install Titus connectors:

- Step 1. Press cam into pre-drilled hole of component with the arrow pointing OUTWARD or UPWARD as per application.
- Step 2. Push bolt into edge hole of same component.
- Step 3. Push aligned components together in order to insert bolt into predrilled hole of side panel, top, or work surface.
- Step 4. Insert Phillips screwdriver into cam.
- Step 5. Turn cam to 2 o'clock to smoothly lock components together. DO NOT OVER TORQUE CAM, HEAD MAY SNAP OFF BOLT.
- Step 6. Snap on cover cap.

Modular Connector (clip) and Shoulder Screw



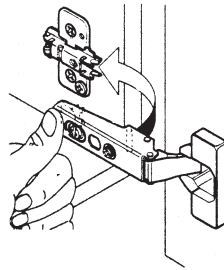
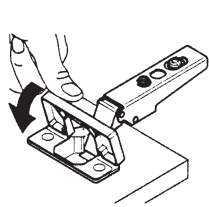
-
- This connector offers a hidden connection between two panels.
 - The modular connector and a connector screw are used in combination to assemble panels.
 - The modular connector is always pre-installed by the factory.
 - The modular connector is always installed with the WIDE opening oriented at the bottom of the part.
 - The connecting shoulder screw is field installed, based on the application of components.

Steps to install modular connectors:

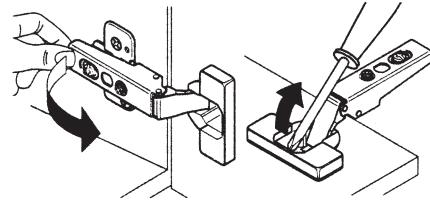
- Step 1. Install connecting shoulder screws at the pre-drilled location as per configuration.
- Step 2. Line up shoulder screws to the modular connector in another component.
- Step 3. Push components together and push down to lock component in place, using a rubber mallet, if necessary.

Inserta® Hinge & Mounting Plate with Euro Screws

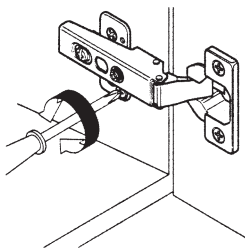
INSERTA - assembly



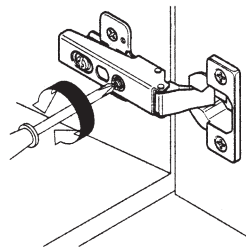
INSERTA - removal



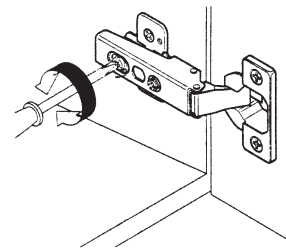
Height adjustment



Side adjustment



Depth adjustment



- The INSERTA® hinge is a tool-free attachment of hinge to door.
- Individual components and fittings do not need to be assembled until they reach their final destination.
- The mounting plate with Euro screws is easy to install.
- The spring loaded clip makes a simple connection between the door and end panel or divider.

Steps to install hinges:

Step 1. Install all mounting plates using the predrilled holes of end panel and/or dividers by fastening with the Euro screws.

Note: The mounting plate should be oriented with the arrow pointing towards exterior of the unit.

Step 2. Place the door face down. With the lever open press hinge into the pre-drilled holes. Press the lever on the hinge down with your thumb. By closing the lever, the hinge is held firmly in place.

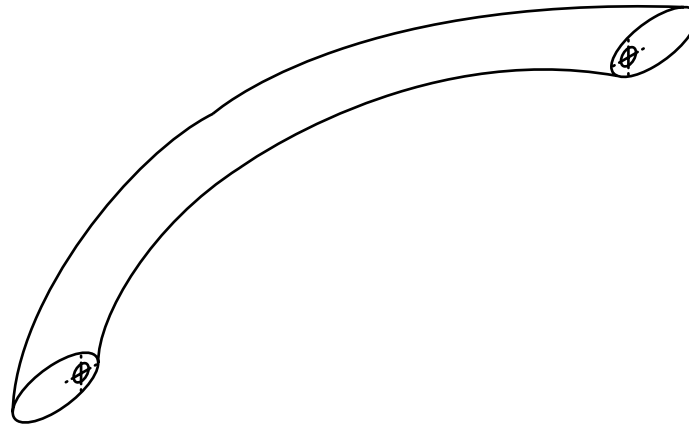
Step 3. Align hinges to mounting plates and push in until a click is heard.

Step 4. Use adjusting screws on the hinge to level the door.

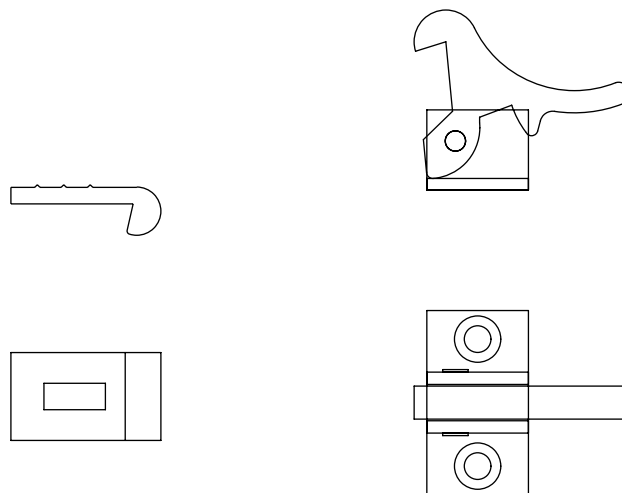
Assembly Hardware
Door/Drawer Handles, Elbow Catch



globalfurnituregroup.com



Install the handle(s) in the predrilled holes on the doors or drawers by using the screws provided.



Install the elbow catch on the left hand door at the upper right corner with the screws provided.

Disclaimer: Any alterations to listed components will void the manufacturer's warranty. The manufacturer will not be responsible for any damage or bodily harm caused by alterations in accordance with national or local electric codes and manufacturer's specifications. In accordance with the manufacturer's policy of continual product improvement, the product presented in this document is subject to change without notice or obligation.

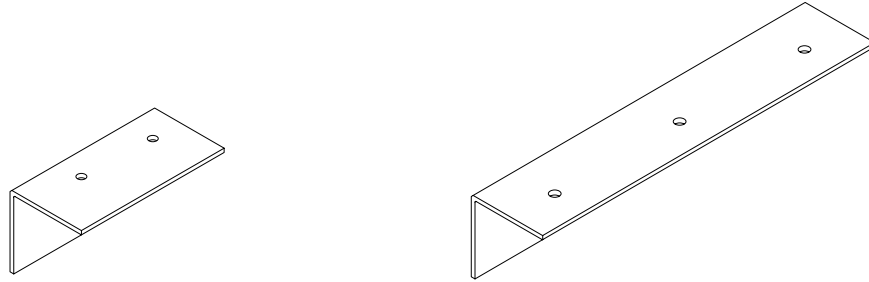
Assembly Hardware

Corner, "Z" and Flat Brackets

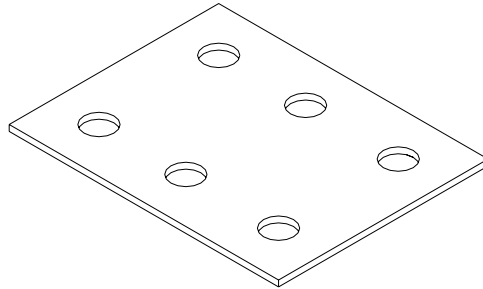


globalfurnituregroup.com

2X2X2
2X2X6



- Used to reinforce the assembled unit.
- The 2x2x2 brackets are used to connect the modesty panel with the work surface by using the #8 x 5/8" wood screws.
- The 2x2x6" brackets are used to hold the work surface of all reception desks with the end and back panels with #8 x 5/8" wood screws.
- Line up the brackets with the pre-drilled pilot holes on the modesty panel, back, or end panels.



- Used to connect two adjoining worksurfaces using the flat brackets and #8x3/4" wood screws
- The flat bracket is installed under the worksurface.

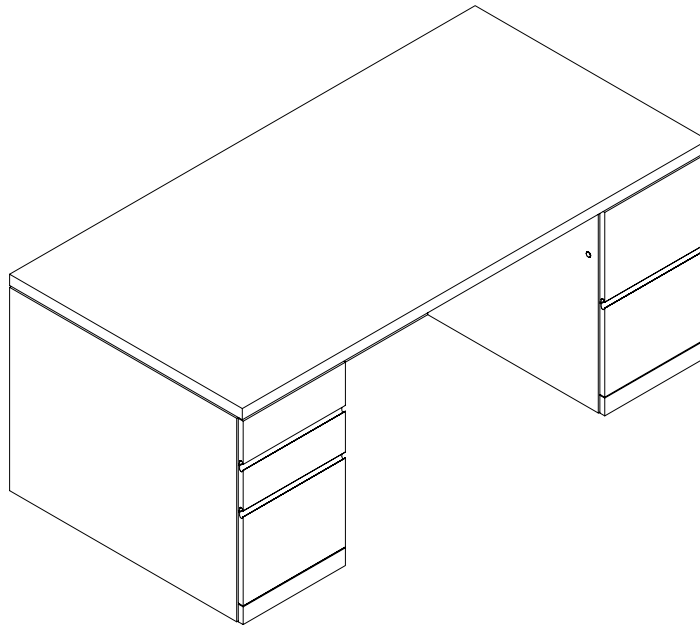
Installation Instructions

Double Pedestal Desks



globalfurnituregroup.com

_D7236DE



Unpack boxes, keep unit upright while unpacking.

Locate product as per plan and level accordingly, using provided glides in the end panels.

Tools required 15mm open end wrench.

Disclaimer: Any alterations to listed components will void the manufacturer's warranty. The manufacturer will not be responsible for any damage or bodily harm caused by alterations in accordance with national or local electric codes and manufacturer's specifications. In accordance with the manufacturer's policy of continual product improvement, the product presented in this document is subject to change without notice or obligation.

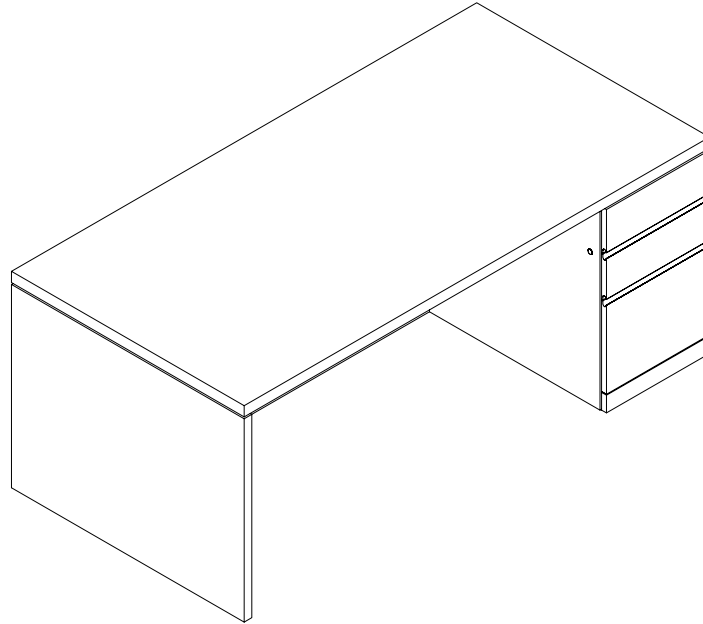
Installation Instructions

Single Pedestal Desks



globalfurnituregroup.com

_SR/L7236D/E



Unpack boxes, keep unit upright while unpacking.

Locate product as per plan and level accordingly, using provided glides in the end panels.

Tools required 15mm open end wrench.

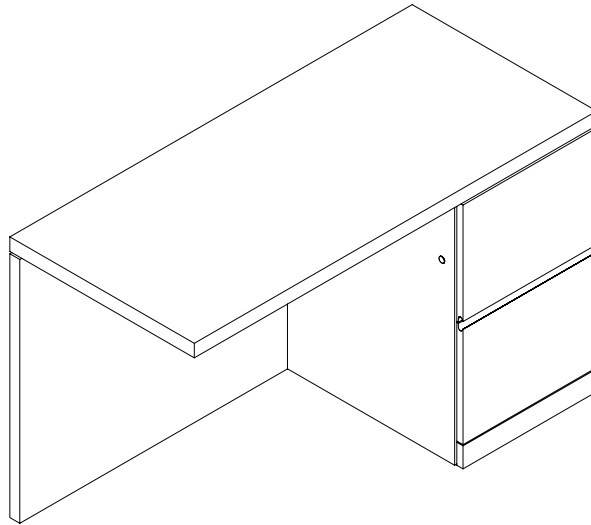
Installation Instructions

Single Pedestal Return



globalfurnituregroup.com

ERR/L4822E



Unpack boxes, keep unit upright while unpacking.

Attach this structure at the OPEN END to an existing structure using flat brackets and wood screws.

Locate product as per plan and level accordingly, using provided glides in the end panels.

Parts 1 bag - Hardware (4-#8x5/8 screws)

Tools required drill (with #2 Phillips or Robertson bit), 15mm open end wrench

Disclaimer: Any alterations to listed components will void the manufacturer's warranty. The manufacturer will not be responsible for any damage or bodily harm caused by alterations in accordance with national or local electric codes and manufacturer's specifications. In accordance with the manufacturer's policy of continual product improvement, the product presented in this document is subject to change without notice or obligation.

Installation Instructions

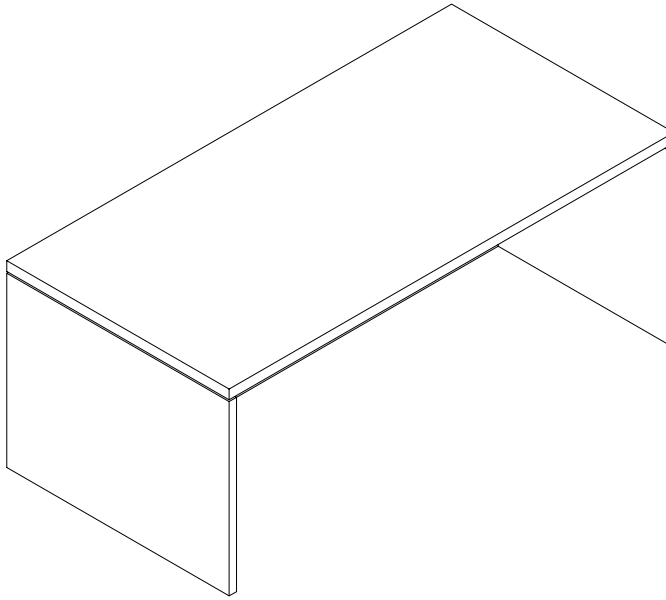
Shell



globalfurnituregroup.com

_T7236

Freestanding pedestal used in SHELL configuration must be 1" (nominal) less in DEPTH than structure for drawers to sit flush with user edge of work surface.

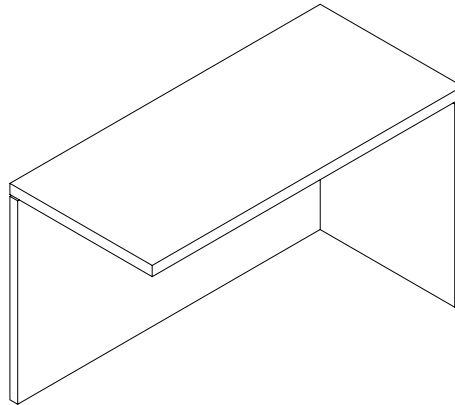


Unpack boxes, Keep unit upright while unpacking.

Locate product as per plan and level accordingly, using provided glides in the end panels.

Tools required Level, 15mm open end wrench

ERR/L4822



Unpack boxes, Keep unit upright while unpacking.

Attach this structure at the OPEN END with an existing structure using flat brackets and wood screws. Use small flat brackets to attach the modesty panel to end gable of adjoining unit.

Locate product as per plan and level accordingly, using provided glides in the end panels.

Tools required 1 bag - Hardware (4-#8x5/8 screws)

Tools required drill (with #2 Phillips or Robertson bit), 15mm open end wrench

Disclaimer: Any alterations to listed components will void the manufacturer's warranty. The manufacturer will not be responsible for any damage or bodily harm caused by alterations in accordance with national or local electric codes and manufacturer's specifications. In accordance with the manufacturer's policy of continual product improvement, the product presented in this document is subject to change without notice or obligation.

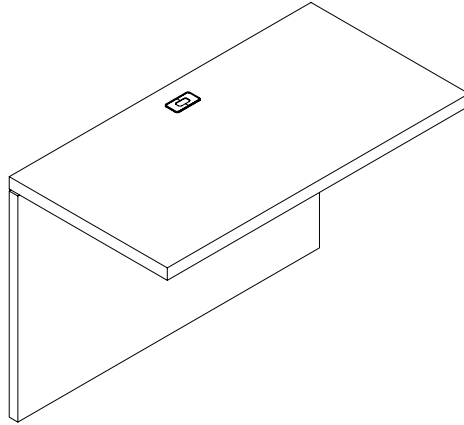
Assembly Instructions

Bridge Top and Back



globalfurnituregroup.com

BT4222



Unpack boxes, determine product configuration.

Check to ensure all components and parts are complete before assembly.

STEP 1 Use #8 x 3/4" wood screws and corner brackets to attach the modesty panel to the top. There are pre-drilled holes on both pieces to position the brackets.

STEP 2 Place on appropriate existing structures with flat brackets already installed to accept bridge, and attach with supplied #8 x 3/4" wood screws.

STEP 3 Use two small flat brackets, on each side, to attach the modesty panel to end gable of existing structure.

Parts

1 Box – Top and Modesty Panel

1 Bag – Hardware (3 corner brackets, 2 small flat brackets, 10 x #8 x 5/8" wood screws)

Tools required drill (with #2 Phillips or Robertson bit), rubber mallet, 15mm open end wrench, level

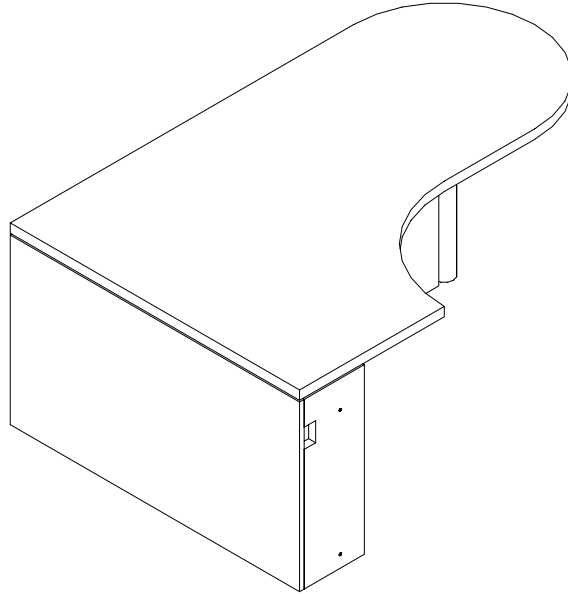
Assembly Instructions

“D” & “P” & Piano



globalfurnituregroup.com

_TDPFR7230-482A



Unpack boxes, keep unit upright while unpacking.

Attach this structure to existing structure (as required) with flat brackets and wood screws.

Locate product as per plan and level accordingly.

Parts 1 Flat plate, 6 #8x 3/4 screws

Tools required drill (with #2 Phillips or Robertson bit), rubber mallet, 15mm open end wrench, level

Disclaimer: Any alterations to listed components will void the manufacturer's warranty. The manufacturer will not be responsible for any damage or bodily harm caused by alterations in accordance with national or local electric codes and manufacturer's specifications. In accordance with the manufacturer's policy of continual product improvement, the product presented in this document is subject to change without notice or obligation.

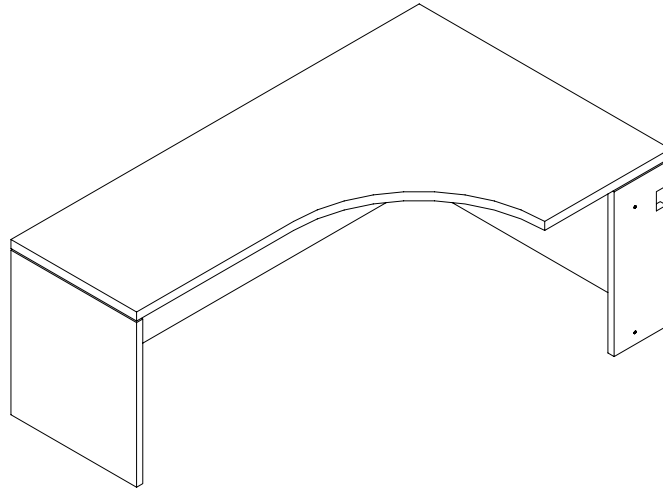
Assembly Instructions

Extended Corner Tables



globalfurnituregroup.com

Extended Corner Tables *_EKL/R724824MR/L*



Unpack boxes, keep unit upright while unpacking.

Check to ensure all components and parts are complete before assembly.

Attach this structure to existing structure (as required) with flat brackets and screws supplied

Locate product as per plan and level accordingly.

Parts 1 Flat plate, 6 #8x 3/4 screws

Tools required drill (with #2 Phillips or Robertson bit), rubber mallet, 15mm open end wrench, level

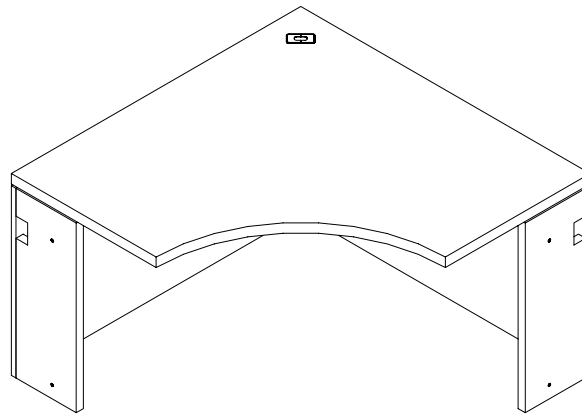
Assembly Instructions

Corner Tables



globalfurnituregroup.com

EK4848-24



Unpack boxes, determine product configuration, keep unit upright while unpacking.

- STEP 1 Attach this structure to existing structure with supplied thrubolts and flat plates.
STEP 2 Locate product as per plan and level accordingly, using provided glides in the end panels.

Parts 1 Bag — Hardware (4 thru bolts, hex key, 2 flat brackets, 12 x #8 x 3/4" wood screws)

Tools required drill (with #2 Phillips or Robertson bit), rubber mallet, 15mm open end wrench, level

Disclaimer: Any alterations to listed components will void the manufacturer's warranty. The manufacturer will not be responsible for any damage or bodily harm caused by alterations in accordance with national or local electric codes and manufacturer's specifications. In accordance with the manufacturer's policy of continual product improvement, the product presented in this document is subject to change without notice or obligation.

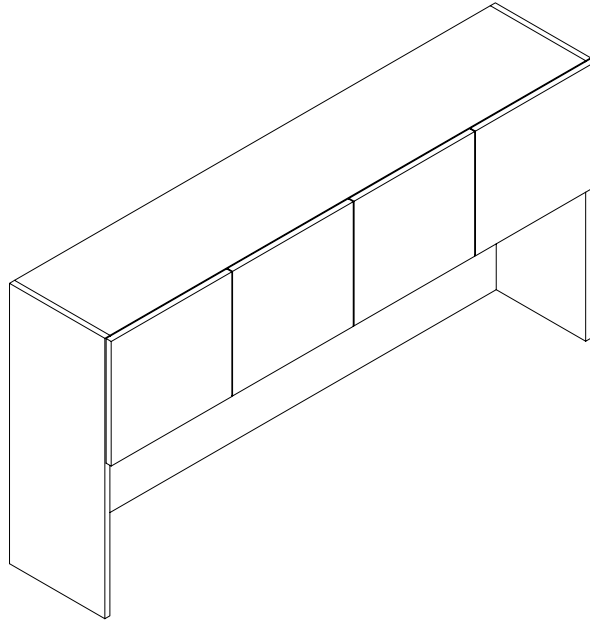
Assembly Instructions

Hutch – Open/Hinged Doors



globalfurnituregroup.com

Hutch with binged door *_72SH36*



Unpack boxes, determine product configuration, keep unit upright while unpacking.

STEP 1 Lay the unit on it's back and apply double sided tape to the bottom edges of the slabs.

Lift the unit and place it on top of the appropriate desking unit, taking care to align the back edges.

CAUTION Tape will adheare the units together firmly. A gentle rocking motion will dislodge the tape for removal.

STEP 2 Locate product as per plan and adjust doors.

Tools required Phillips screwdriver
